

Sipper Sack™ Carboy System

The Sipper Sack™ Animal Watering System is an innovative way to provide water to your laboratory animals. The Sipper Sack concept is simple – use a sterile, disposable, plastic sack and a reusable, autoclavable, stainless steel drinking valve for individual cage watering. While a technician transfers animals during the cage change process, the system performs in-room, on-demand sack filling in the change hood's controlled environment. Sipper Sack eliminates the ergonomic dangers, corridor clutter and labor cost associated with pre-filling, carting and storing water bottles.

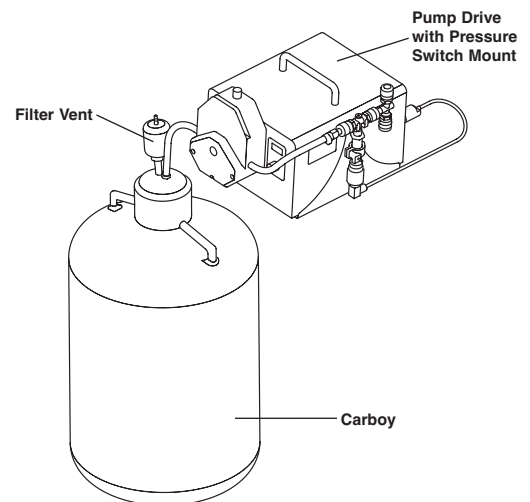
The Sipper Sack Carboy System provides a way for water to be delivered to the Sipper Sack Filler using a carboy. The system is designed to deliver a specified quantity of house, autoclaved, treated, medicated, or RO water to the Sipper Sack Filler to fill sacks. This system utilizes a peristaltic pump and pressure switch to pump water from a carboy to the Sipper Sack Filler. Sacks are filled on demand as the pressure switch controls the pump operation, turning it on and off as needed. All of the wetted components of this system are autoclavable (except the pressure switch) to ensure cleanliness of the water being supplied to the animals.

Features & Benefits

- Simple, effective method for supplying autoclaved water to laboratory animals
- Excellent alternative to autoclaving bottles of water
- Ideal for administering batch treated or medicated water to animal population
- All wetted components of the system are autoclavable, with the exception of the pressure switch which can be sanitized with a disinfectant spray
- Fills sack in approximately 16 seconds when pump speed is set at 60%
- Pressure switch controls pump operation, turning it on and off as needed
- System can be used to supply water to more than one Filler
- Can be used without Room Distribution System (RDS) piping



Part No. 7335-1335-501 (50 L Carboy System)
Part No. 7335-1335-502 (20 L Carboy System)



Complete System Including Carboy and Pump

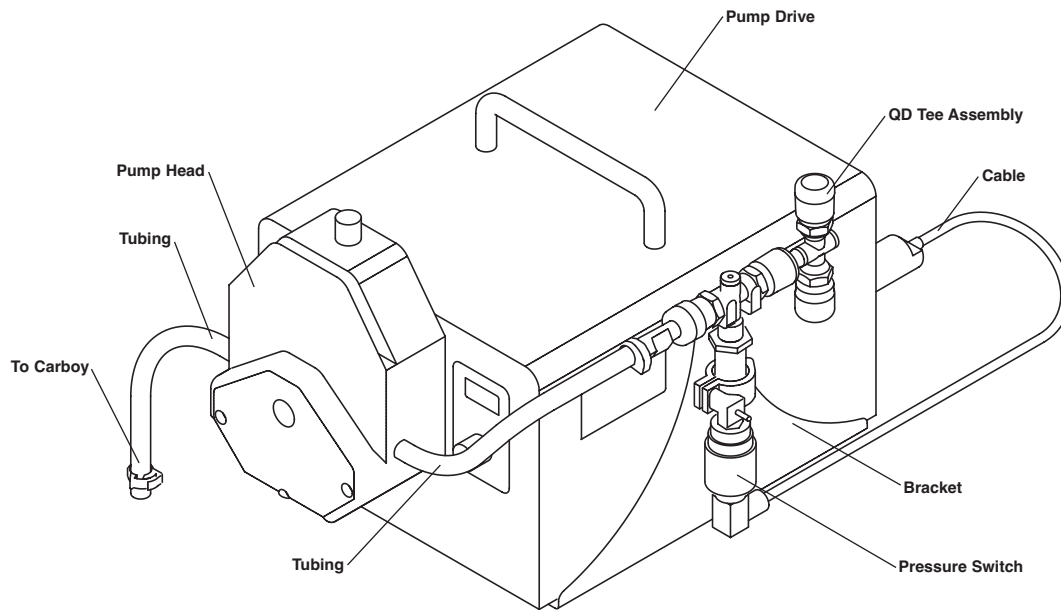
Application/Operation

The Sipper Sack™ Carboy System is used in conjunction with the Edstrom Sipper Sack Filler to fill sacks with water for laboratory animals. The system consists of a 20 liter or 50 liter carboy, peristaltic pump, pressure switch, bracket for mounting pressure switch to pump, stainless steel quick disconnect (QD) fittings, and 10 feet of silicone tubing. The Sipper Sack Filler is sold separately.

For best results, the pump should be set at 60 percent. At this speed, the Sipper Sack Filler will fill a sack to capacity in approximately 16 seconds. It is possible to connect two Fillers to a single Sipper Sack Carboy System. In this application, a special QD tee assembly is required, as well as additional tubing. The fill time will be slower in this scenario; approximately 22 seconds per sack.

All of the wetted components of the Sipper Sack Carboy System can be easily disassembled and reassembled for auto-claving, with the exception of the pressure switch, which should be sanitized with a disinfectant spray.

The Sipper Sack Filler is compact enough to be set up in the change hood. The pump system is placed on a nearby table or cart, and the carboy is placed near the pump. The Sipper Sack Filler fills a sack once the fill arm is engaged. The water is pumped from the carboy to the Filler, filling the sack to the preset weight specified on the Filler's controller. The Sipper Sack Carboy System starts and stops automatically, providing the flow of water to the filler on demand.



Pump Drive/Head with Pressure Switch Mount

Specifications

Peristaltic Pump with Pressure Switch Mount

Dimensions: 15 in. W x 12 in. H x 11.5 in. D
[381 mm W x 304.80 mm H x 292.10 mm D]
1/4 in. ID silicone tubing

Carboy

Capacity: 20 L or 50 L
Material: Polypropylene, white polypropylene, screw cover,
TPE gasket
Filter Vent: 0.2 micron, Teflon PTFE membrane,
polypropylene housing
Tubing: 1/4 in. ID silicone tubing

Pressure Switch

Single set point
Watertight 316 stainless steel (SS) body
Micro DIN connector
Bracket and Tee Assembly: 316 SS

Utility Requirements

Electrical: 90/230 VAC, 50/60 Hz
4.5 Amp at 115 VAC
2.6 Amp at 230 VAC

All specifications are subject to change without notice.